

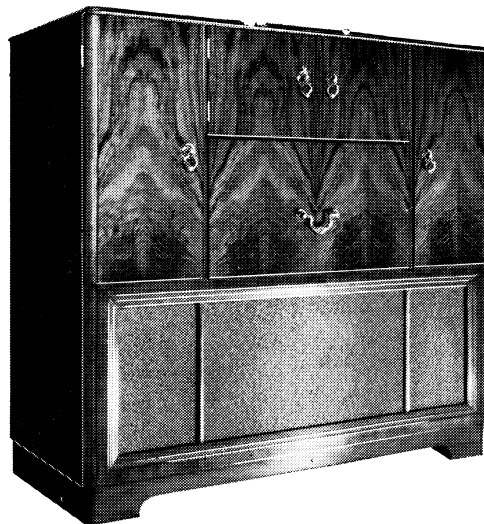
TECHNICAL INFORMATION
AND
SERVICE DATA SHEET

RADIOLA

Model 564-GA

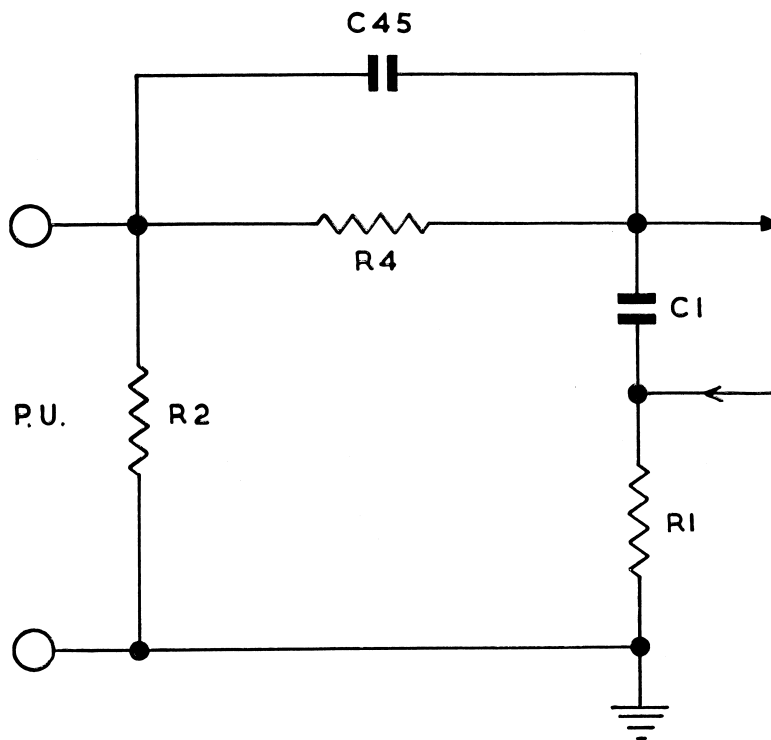
TO BE READ IN CONJUNCTION WITH
SERVICE MANUAL FOR MODEL 550-GA.

ISSUED BY:
AMALGAMATED WIRELESS (AUSTRALASIA) LTD.



Circuit Changes:

- (1) Capacitor C37 changed to 0.005 paper 600V working.
- (2) Resistor R4 is paralleled with C45 — 1000 μF mica.



Loudspeaker:

12 inch permanent magnet and 2.1/2 inch permanent magnet.

Assembly Part No. 20917.

Transformer TX2.

V.C. Impedance of combination —

12.5 ohms at 400 c.p.s.